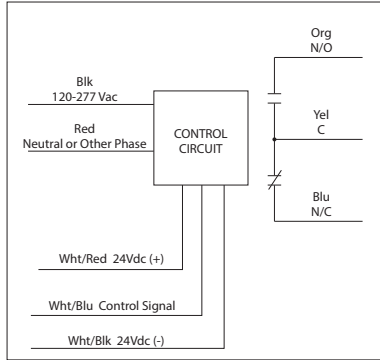


**POWER PACK**

**RIB21BPP10**

Enclosed Power Pack, 20 Amp SPDT, 24Vdc @ 420mA Power Output, 120-277 Vac Power Input



**SPECIFICATIONS**

- # Relays & Contact Type: One (1) SPDT Continuous Duty Coil
- Expected Relay Life: 10 million cycles minimum mechanical
- Operating Temperature: -30 to 104° F
- Humidity Range: 5 to 95% (noncondensing)
- Operate Time: 1.8 Seconds
- Relay Status: Red LED On = Activated
- Power Status: Green LED On = 24Vdc out
- Dimensions: 2.30" x 3.20" x 1.80" with .75" NPT Nipple
- Wires: 16", 600V Rated
- Approvals: UL Listed, UL916, C-UL, CE, RoHS
- Housing Rating: UL Accepted for Use in Plenum, NEMA 1
- Gold Flash: No
- Momentary Override: Yes

- Contact Ratings:**
- 20 Amp Resistive @ 277 Vac
  - 5 Amp Resistive @ 480 Vac
  - 20 Amp Ballast @ 277 Vac
  - 16 Amp Electronic Ballast @ 277 Vac (N/O)
  - 10 Amp Tungsten @ 120 Vac (N/O)
  - 770 VA Pilot Duty @ 120 Vac (N/C)
  - 1100 VA Pilot Duty @ 277 Vac (N/C)
  - 2 HP @ 277 Vac
  - 1 HP @ 120 Vac

**Power Input:**  
250 mA @ 120 -277 Vac

**DC Output:**  
24 Vdc @ 420mA, Class 2

**OCCUPANCY SENSOR APPLICATION**

The RIB21BPP10 can be used to provide power to an occupancy sensor and control a lighting load based on the status of the occupancy sensor. The white/red and white/black wires can be used to power an occupancy sensor with 24Vdc. When the white/blue wire is connected to the white/red wire through the occupancy sensor contact, the relay will activate, switching the lighting load On or Off.

